



EMAIL

info@incaglobal.com.tr

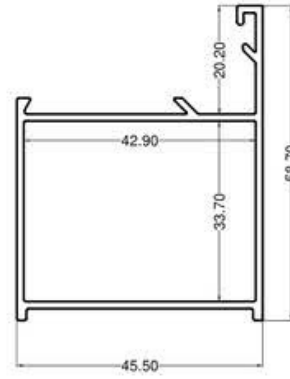
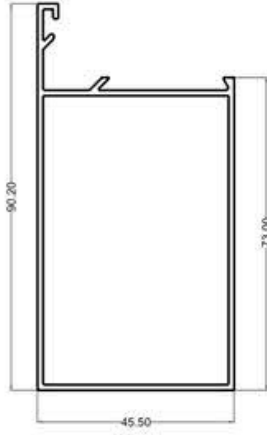
TELEPHONE

+90 535 977 84 90

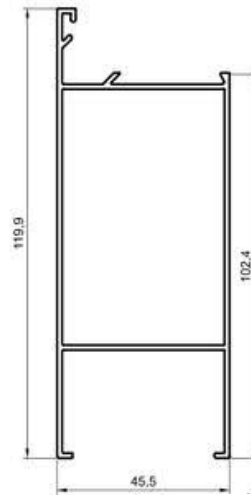
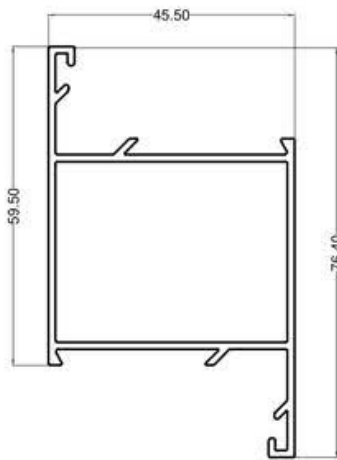
WEBSITE

www.incaglobal.com.tr

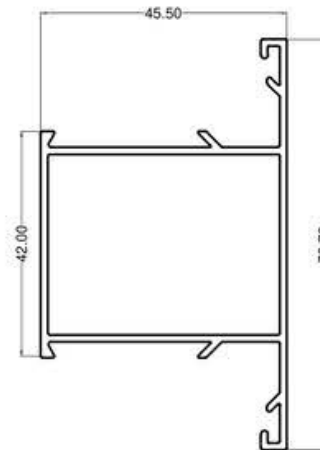
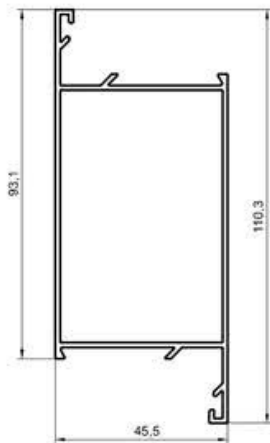
Door & Window Systems without Thermal Break



Weight: 0.935 kg/m M.Th - 2022 M.Th - 2006 Weight: 0.710 kg/m

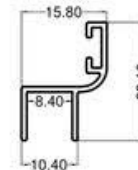
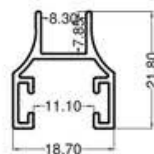
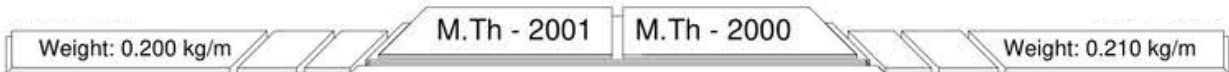
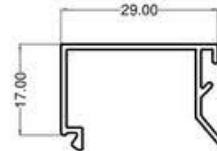
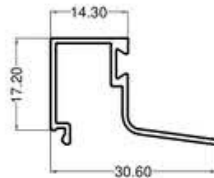
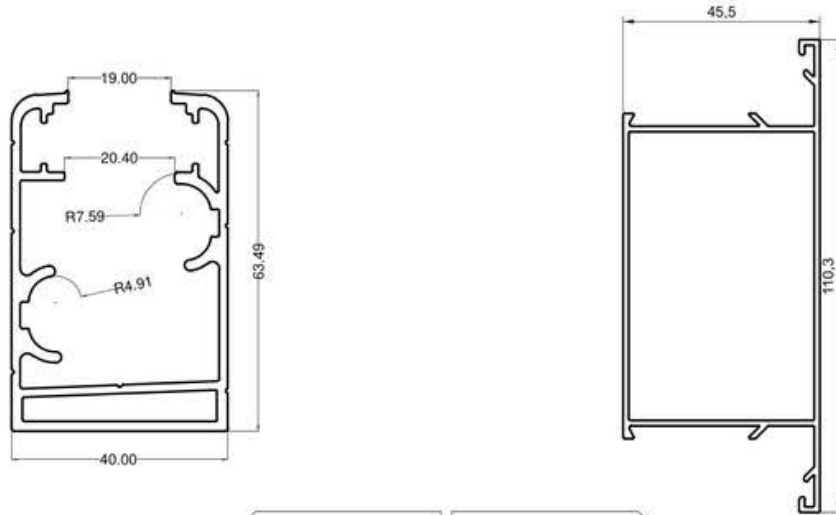


Weight: 0.830 kg/m M.Th - 2004 M.Th - 2014 Weight: 1.160 kg/m

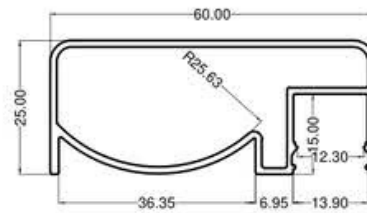
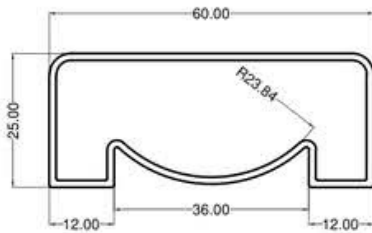
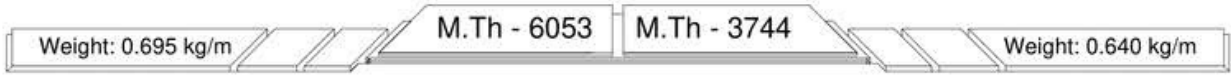
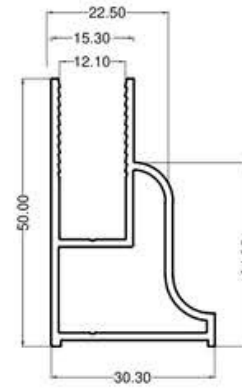
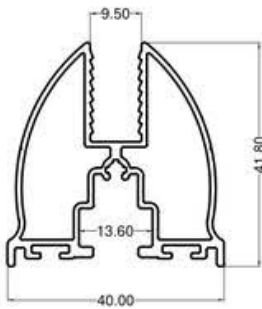
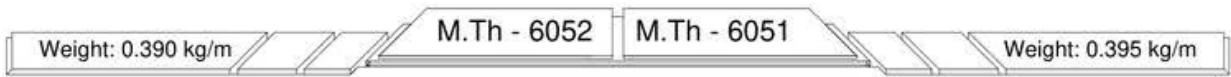
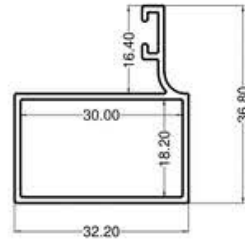
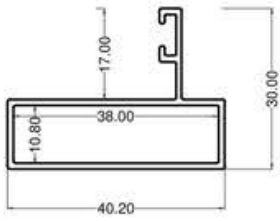


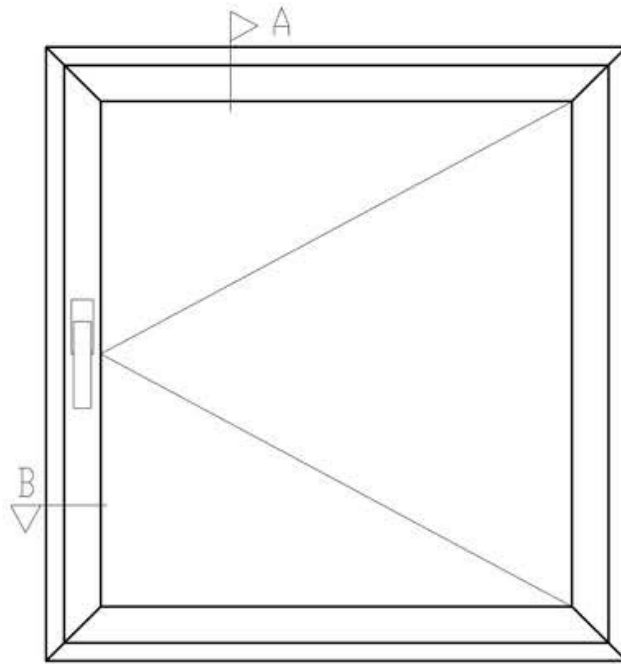
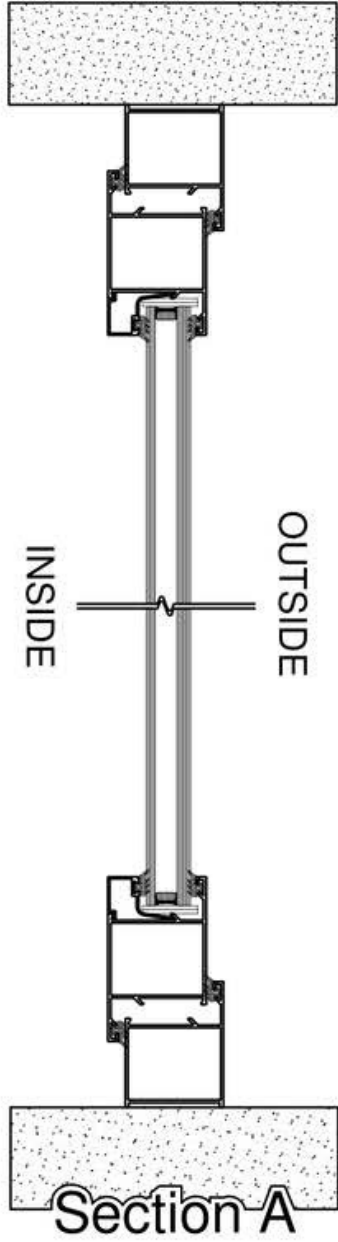
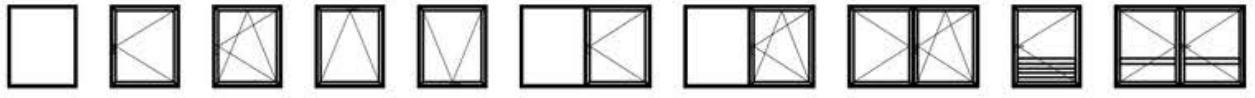
Weight: 1.055 kg/m M.Th - 2023 M.Th - 2005 Weight: 0.835 kg/m

Door & Window Systems without Thermal Break

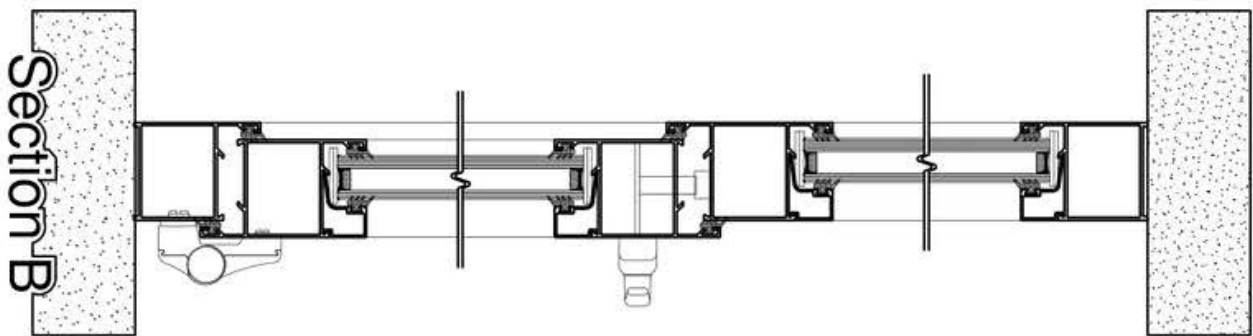


Door & Window Systems without Thermal Break

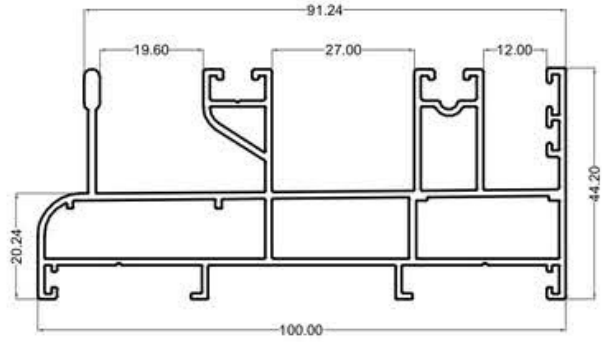
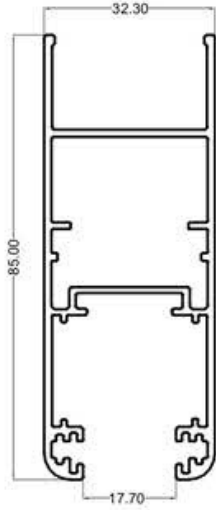




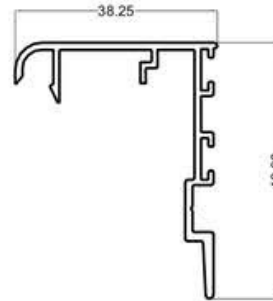
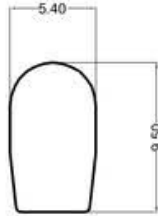
Interior View



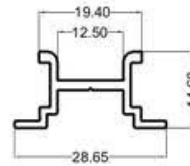
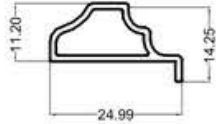
Door & Window Systems without Thermal Break



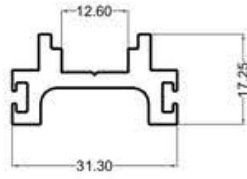
Weight: 1.105 kg/m	M.SH 005	M.SH 004	Weight: 1.645 kg/m
--------------------	----------	----------	--------------------



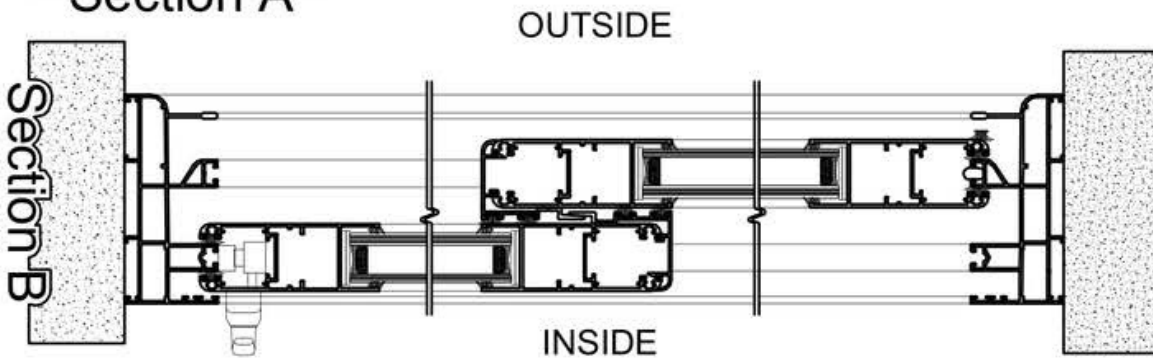
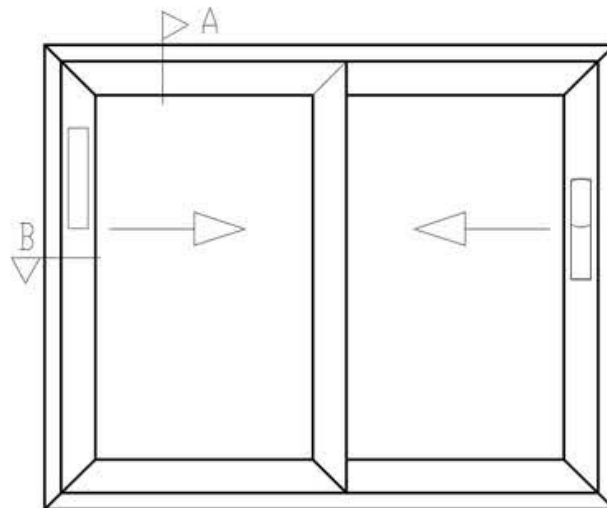
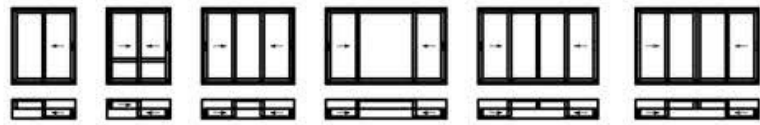
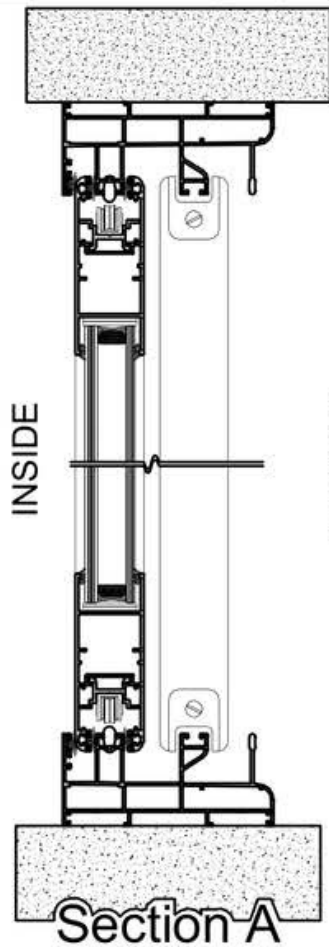
Weight: 0.125 kg/m	M.SH 28	M.SH 006	Weight: 0.000 kg/m
--------------------	---------	----------	--------------------



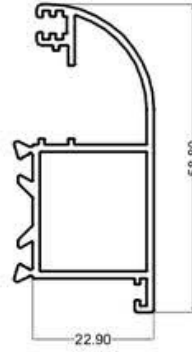
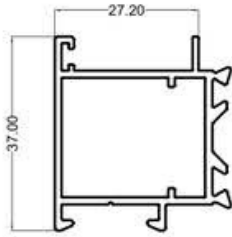
Weight: 0.205 kg/m	M.SH 024	M.SH 025	Weight: 0.255 kg/m
--------------------	----------	----------	--------------------



Weight: 0.565 kg/m M.SH 021



Door & Window Systems with Thermal Break

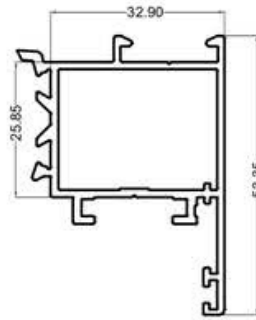
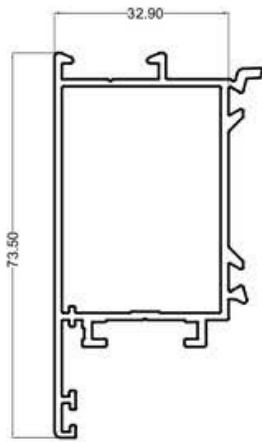


Weight: 0.580 kg/m

M.SH 018

M.SH 017

Weight: 0.670 kg/m

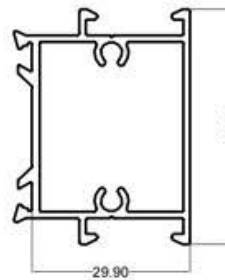
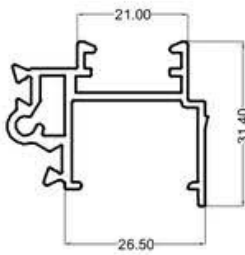


Weight: 0.940 kg/m

M.SH 007

M.SH 011

Weight: 0.785 kg/m



Weight: 0.585 kg/m

M.SH 014

M.SH 020

Weight: 0.705 kg/m



EMAIL
info@incaglobal.com.tr

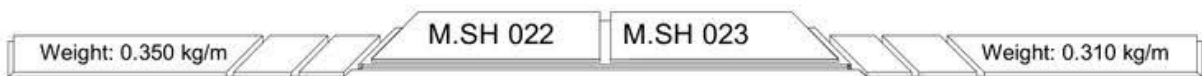
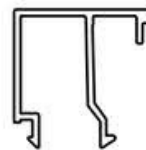
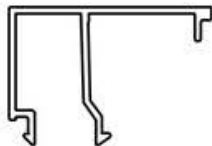
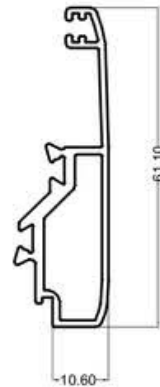
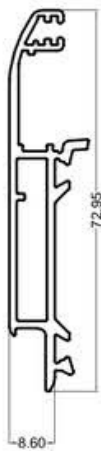


TELEPHONE
+90 535 977 84 91

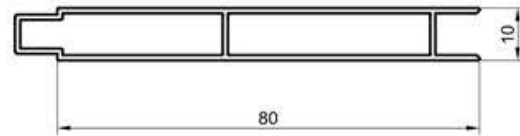
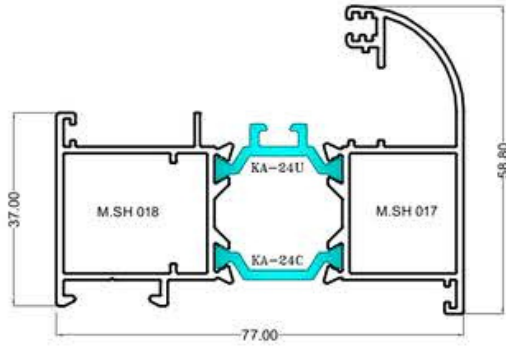


WEBSITE
www.incaglobal.com.tr

Door & Window Systems with Thermal Break



Door & Window Systems with Thermal Break

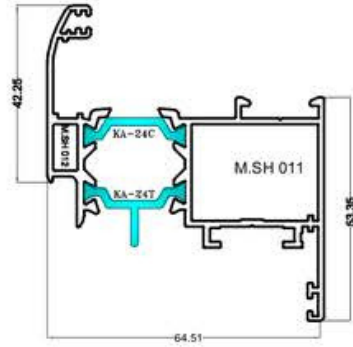
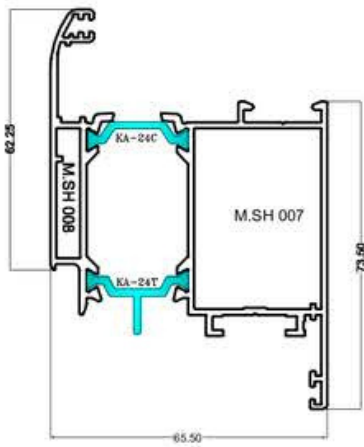


Weight: 0.000 kg/m

T.900

M.SH 026

Weight: 0.555 kg/m

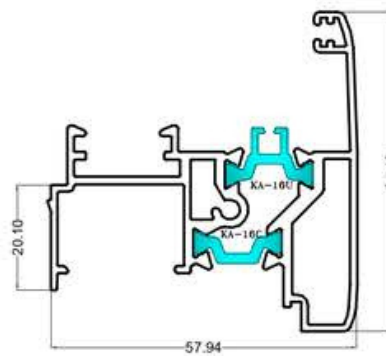
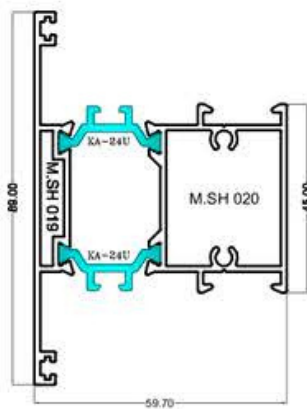


Weight: 0.000 kg/m

T.902

T.901

Weight: 0.000 kg/m

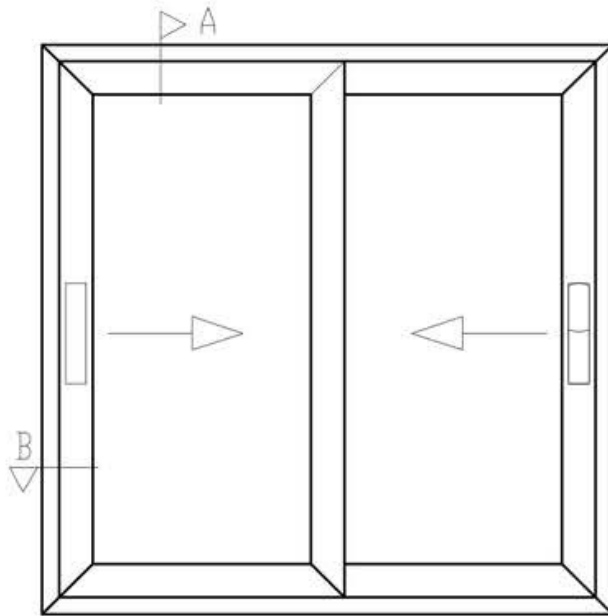
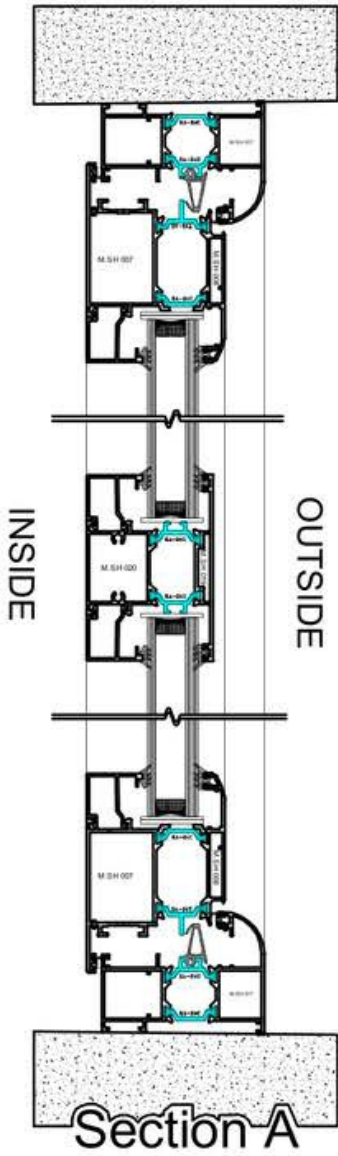


Weight: 0.000 kg/m

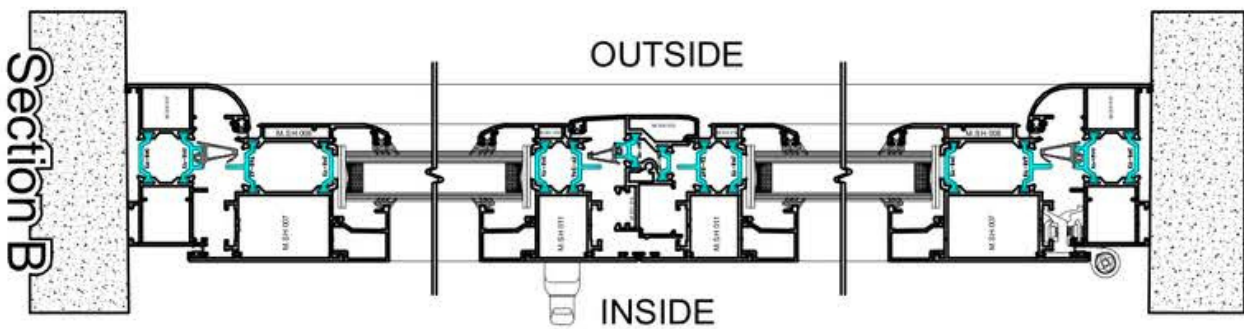
T.904

T.903

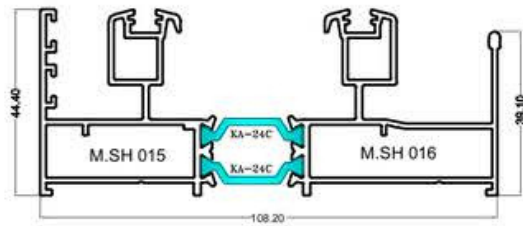
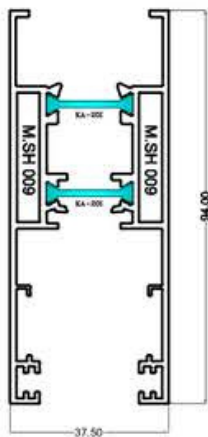
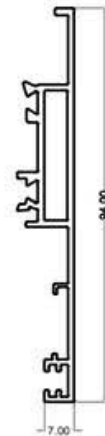
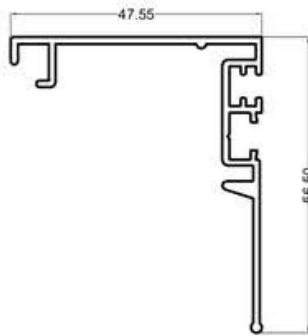
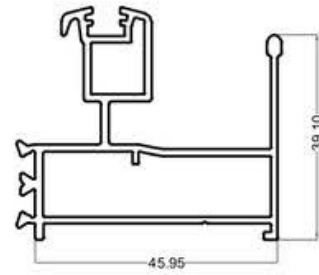
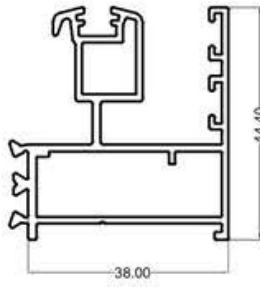
Weight: 0.000 kg/m

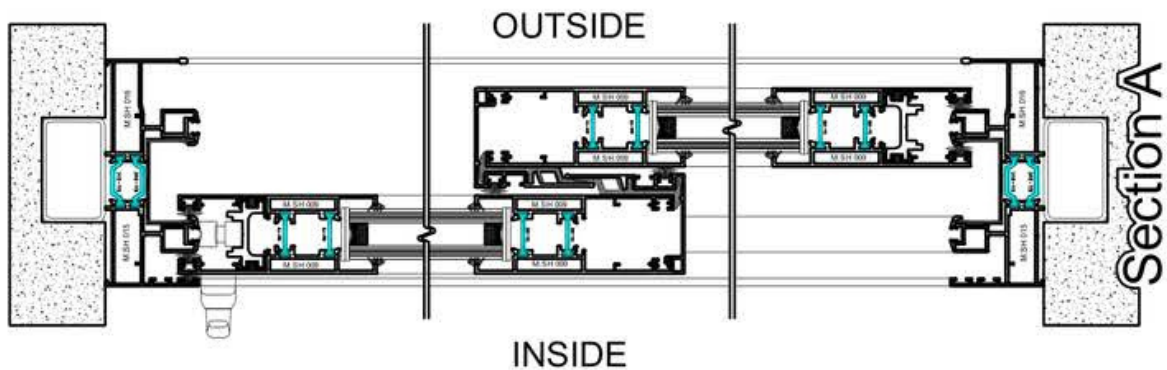
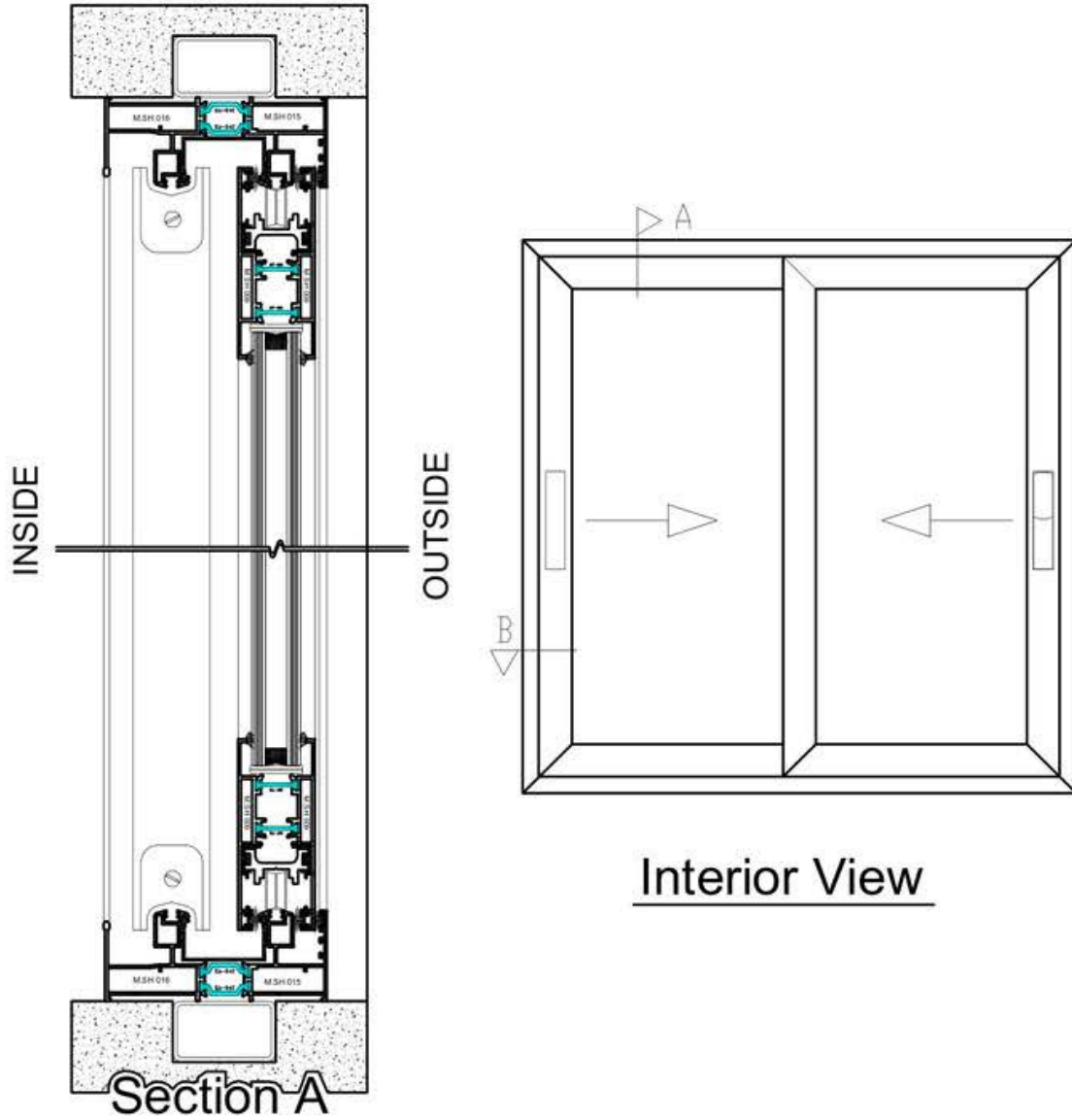
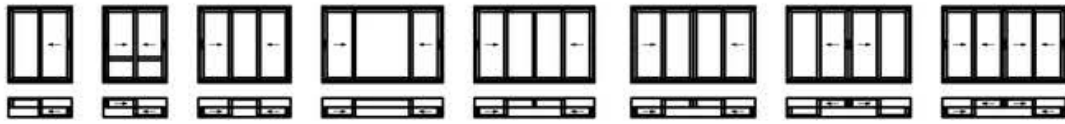


Interior View

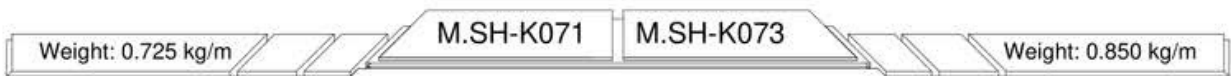
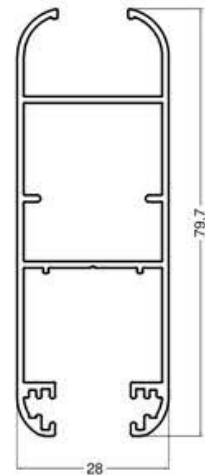
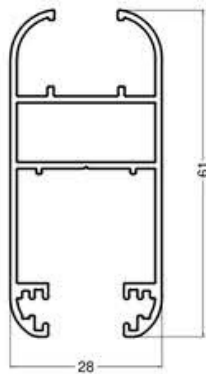
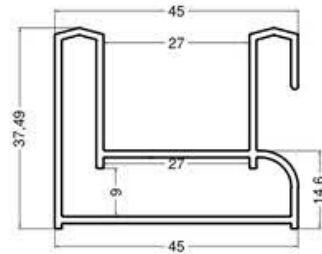
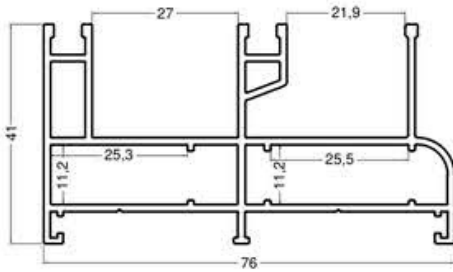
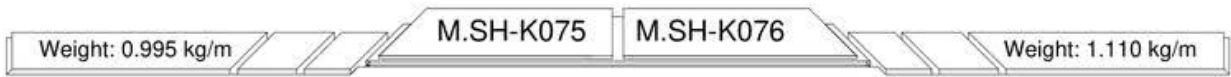
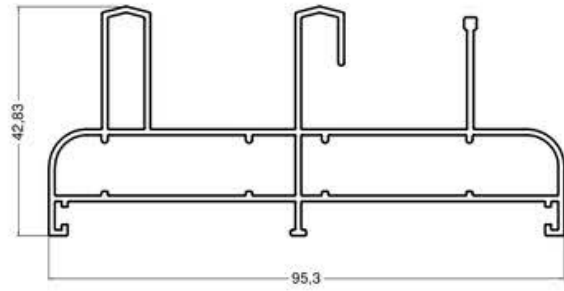
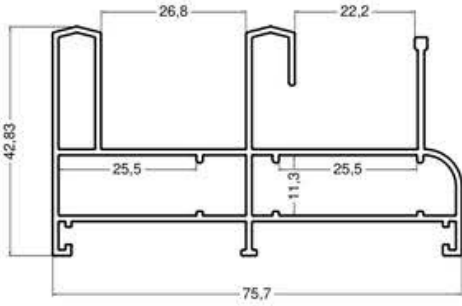


Door & Window Systems with Thermal Break

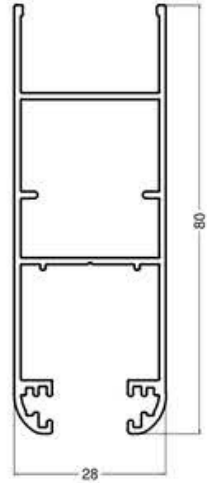
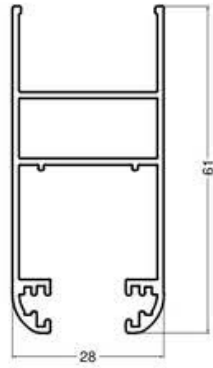




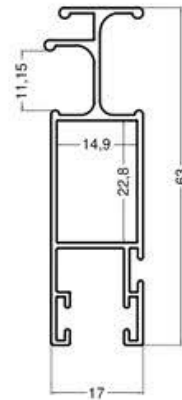
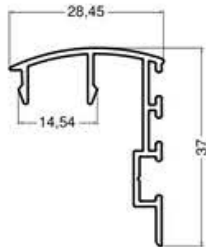
Door & Window Systems without Thermal Break



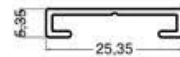
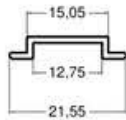
Door & Window Systems without Thermal Break



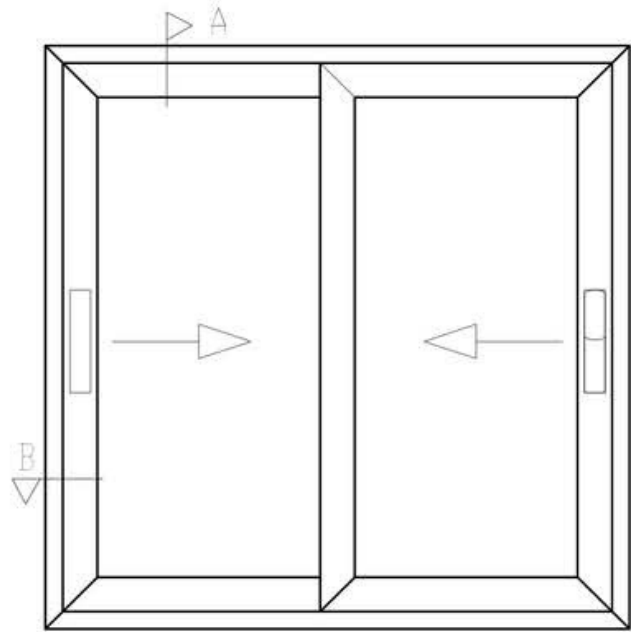
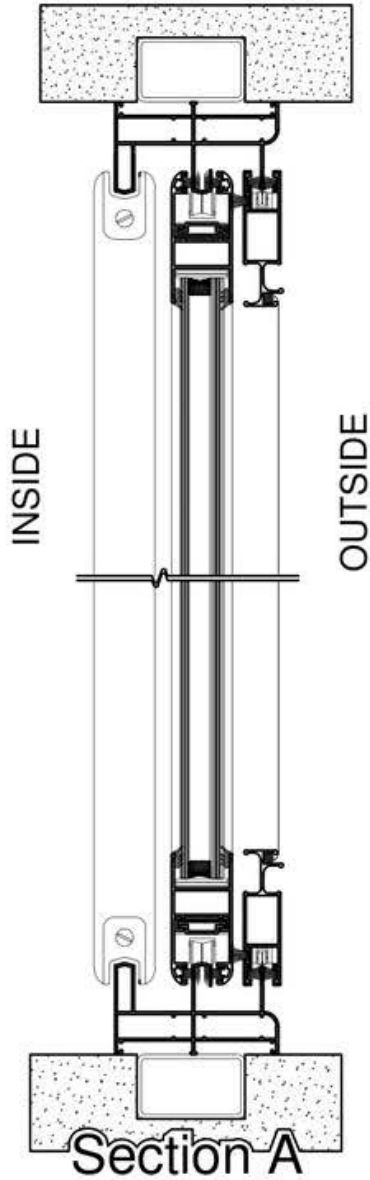
Weight: 0.685 kg/m **M.SH-K070** **M.SH-K074** Weight: 0.835 kg/m



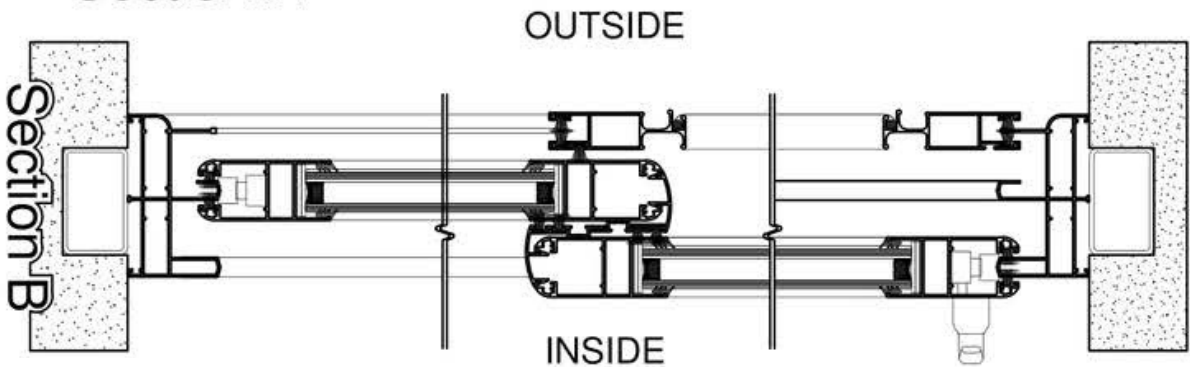
Weight: 0.295 kg/m **M.SH-K079** **M.SH-K078** Weight: 0.550 kg/m



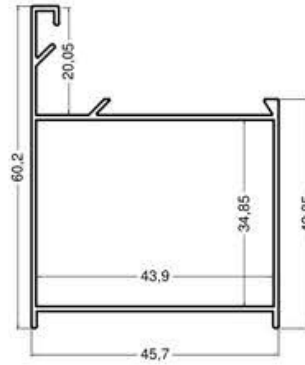
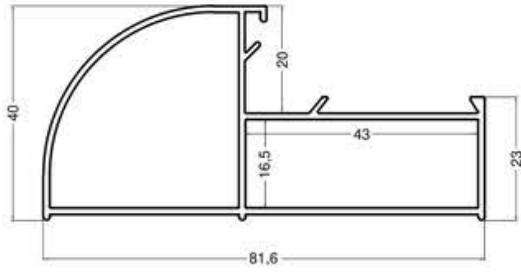
Weight: 0.090 kg/m **M.SH-K090** **M.SH-K089** Weight: 0.125 kg/m



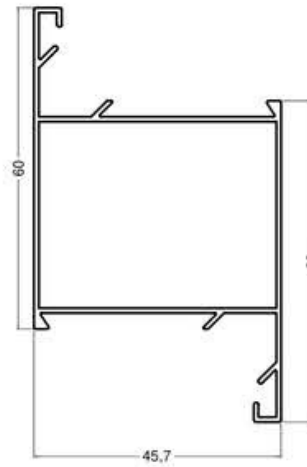
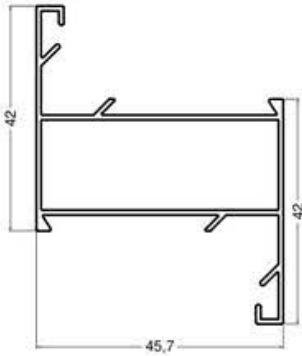
Interior View



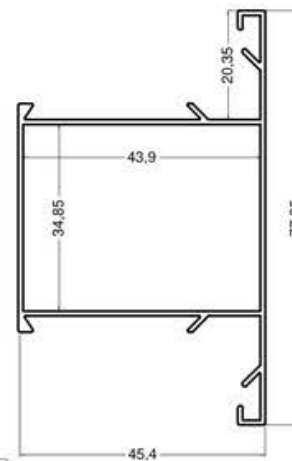
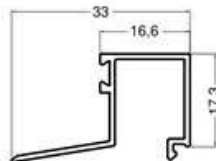
Door & Window Systems with Thermal Break



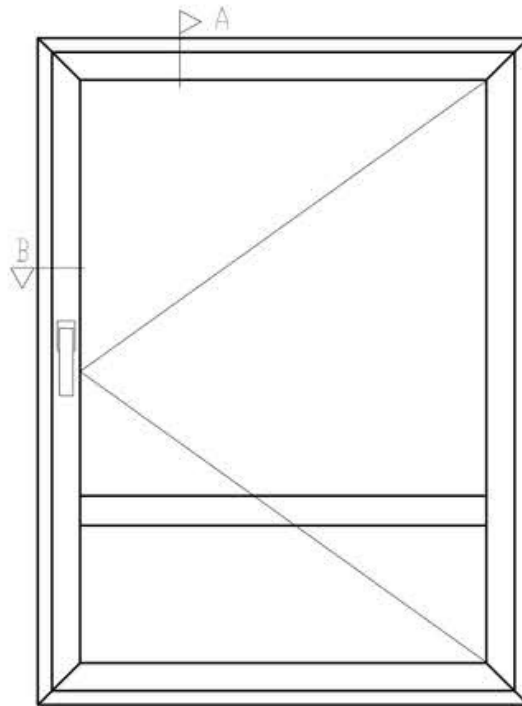
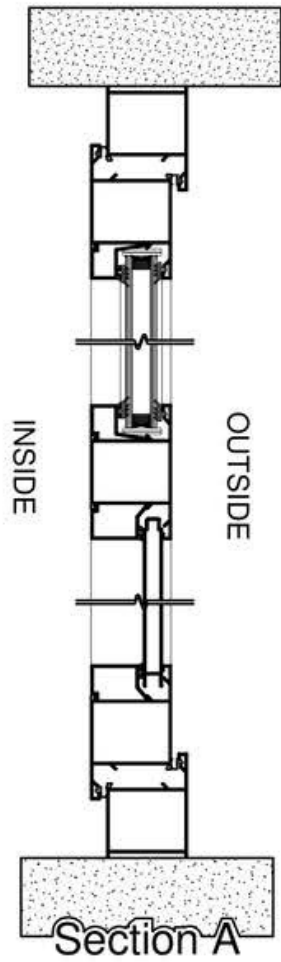
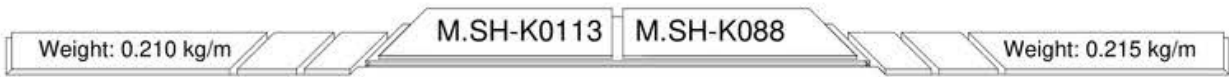
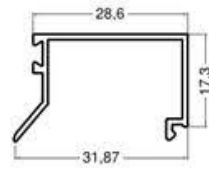
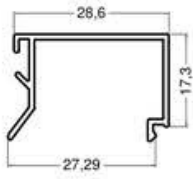
Weight: 0.835 kg/m M.SH-K0114 M.SH-K083 Weight: 0.515 kg/m



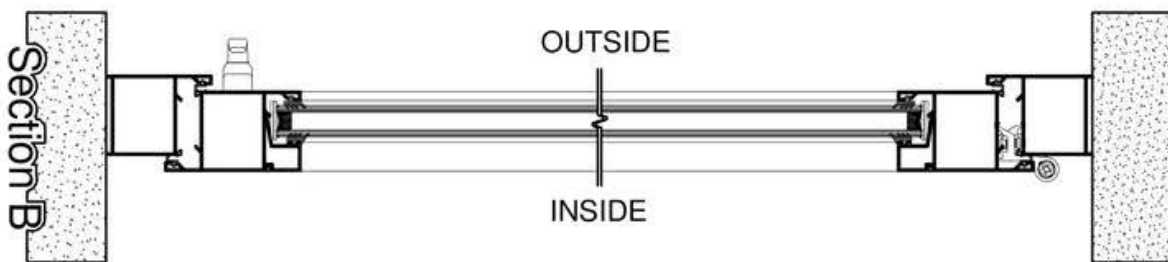
Weight: 0.515 kg/m M.SH-K084 M.SH-K082 Weight: 0.610 kg/m



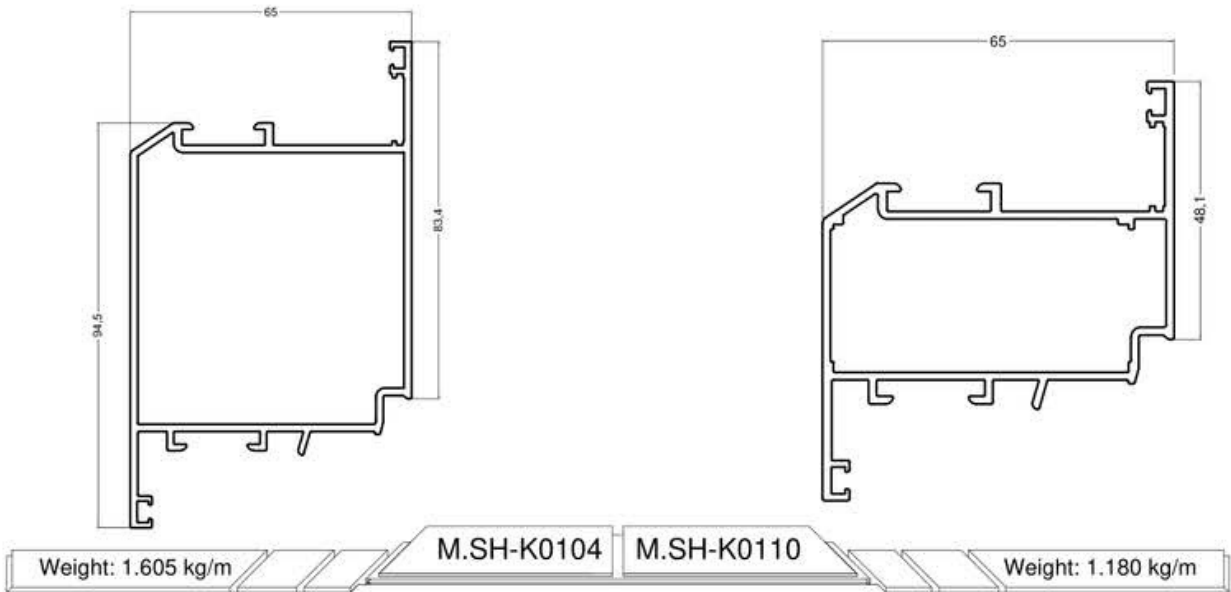
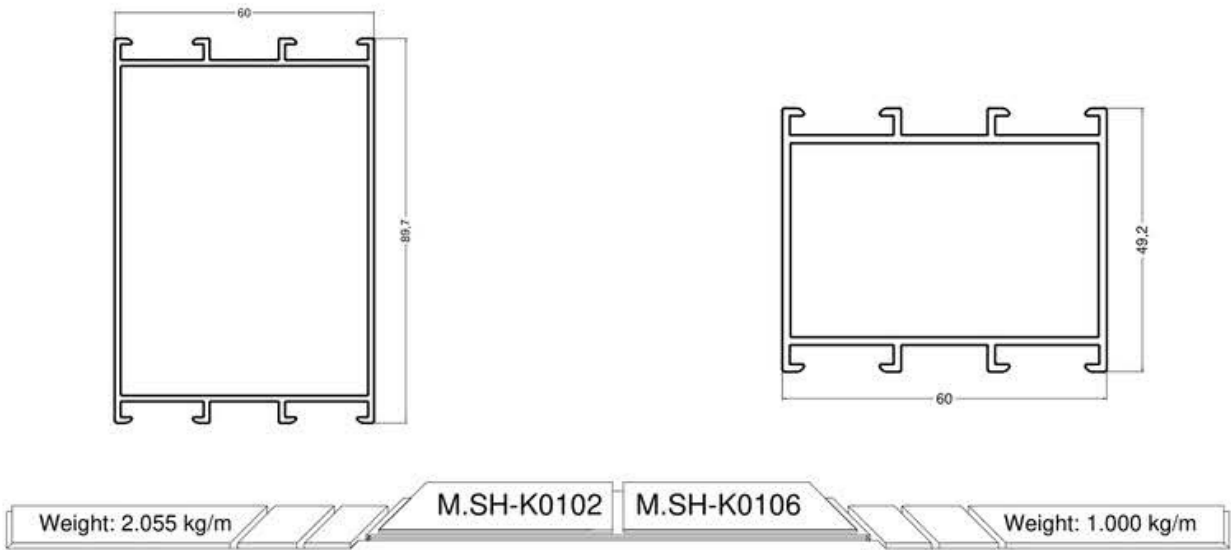
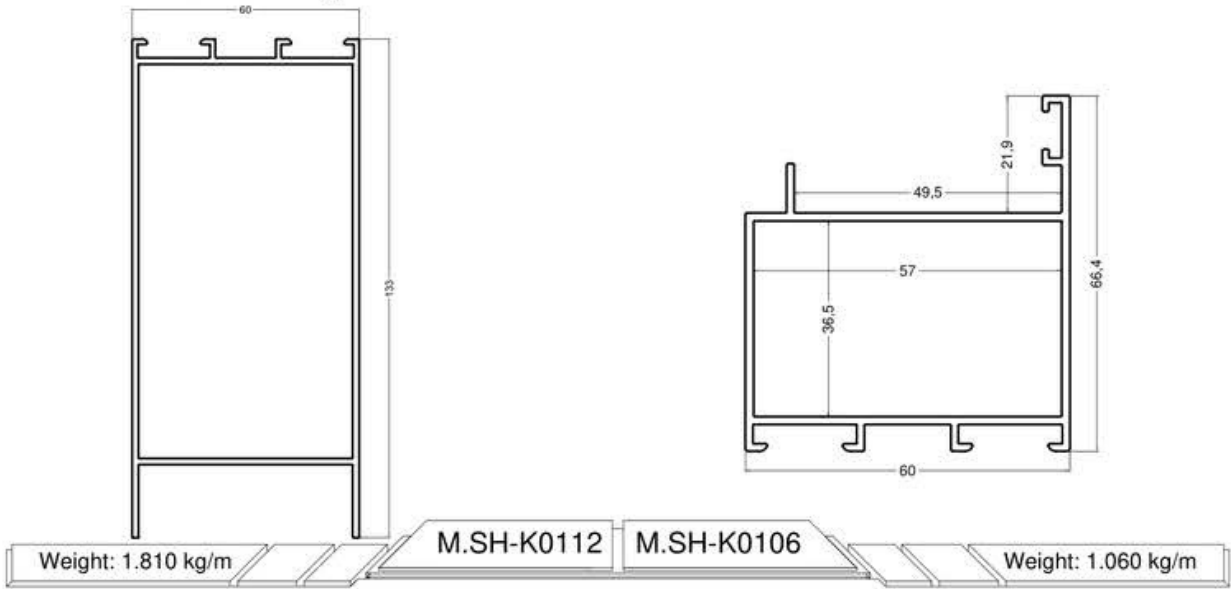
Weight: 0.215 kg/m M.SH-K086E M.SH-K081 Weight: 0.610 kg/m



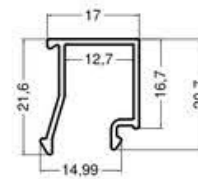
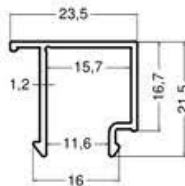
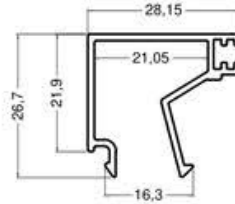
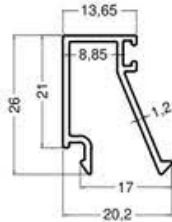
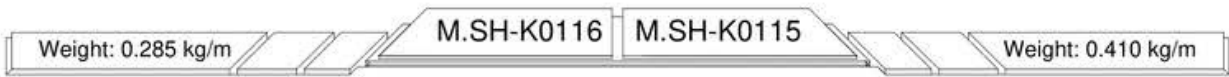
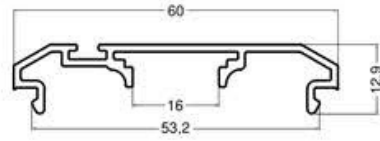
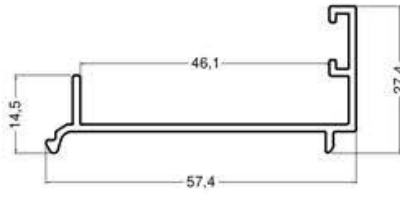
Interior View

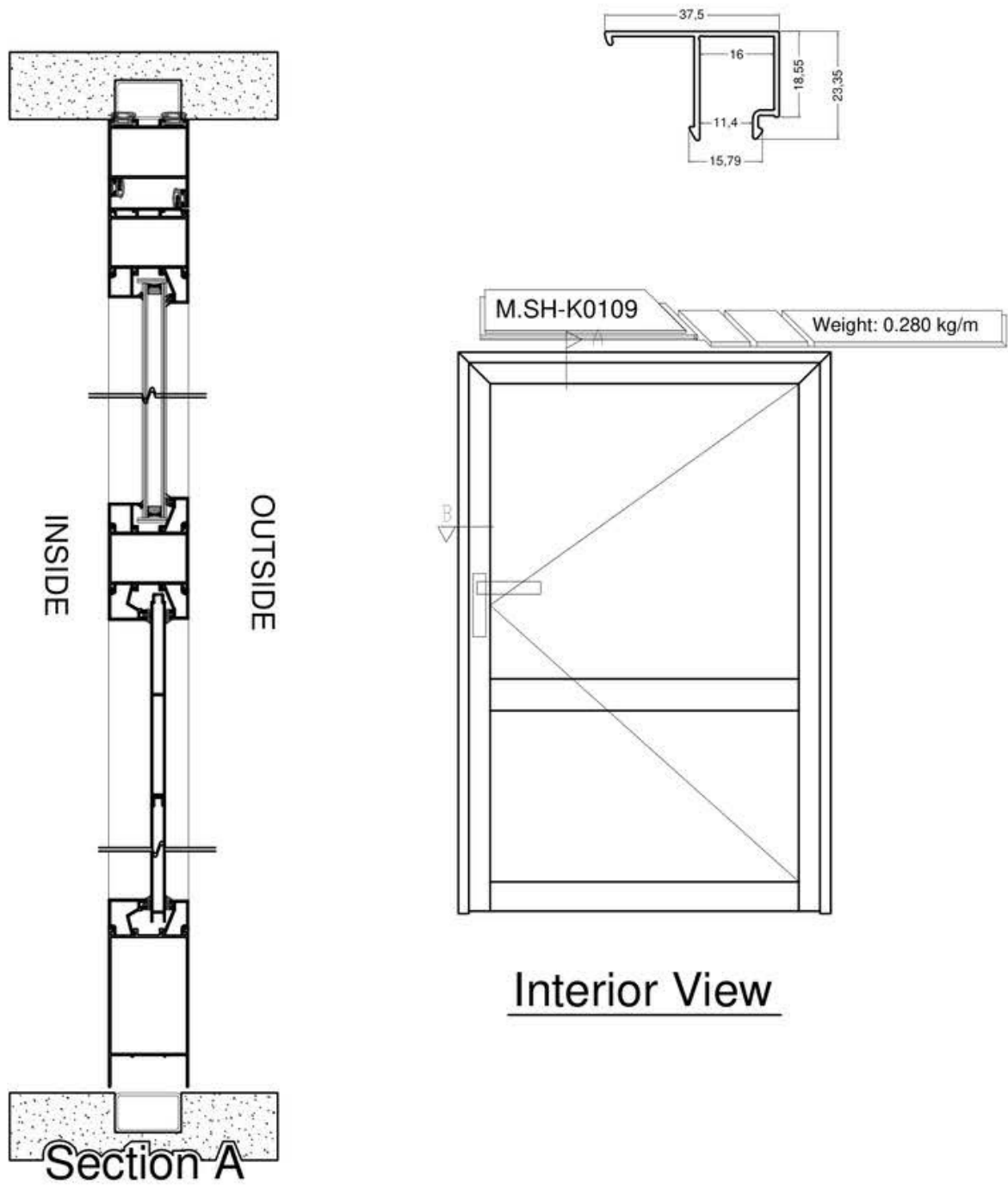


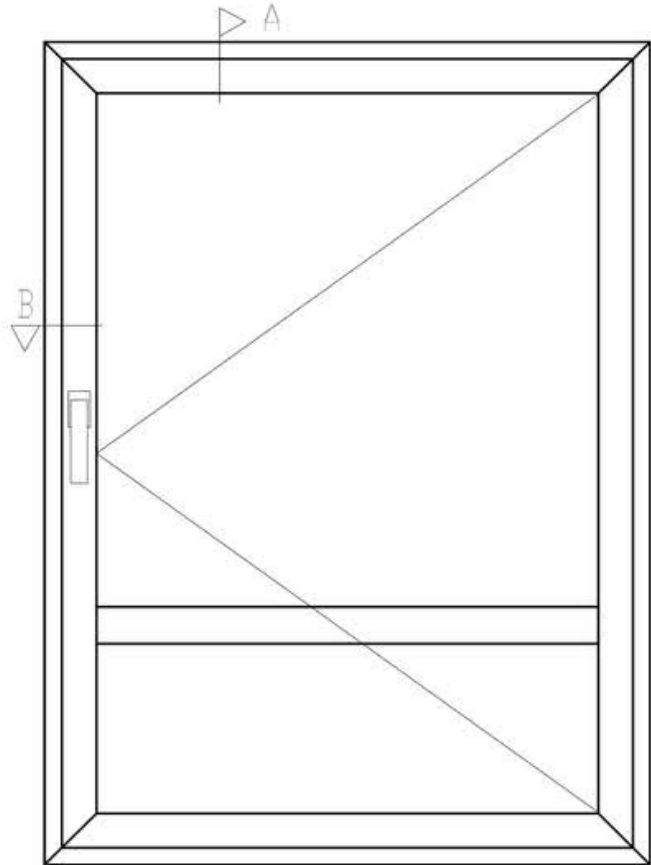
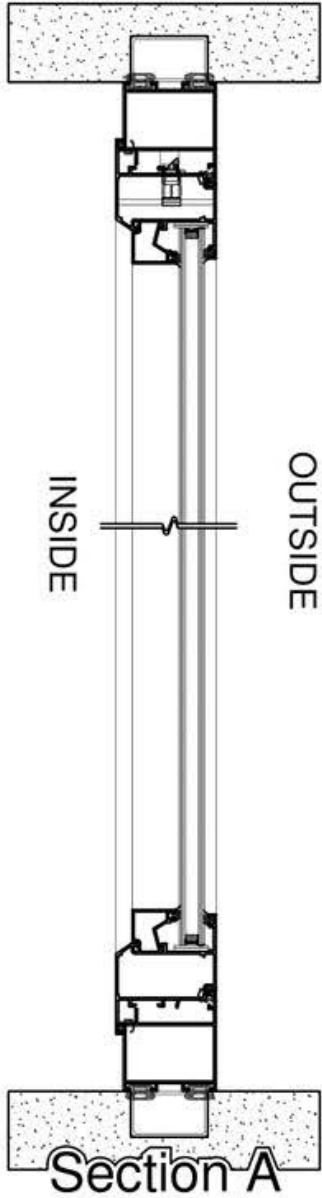
Door & Window Systems with Thermal Break



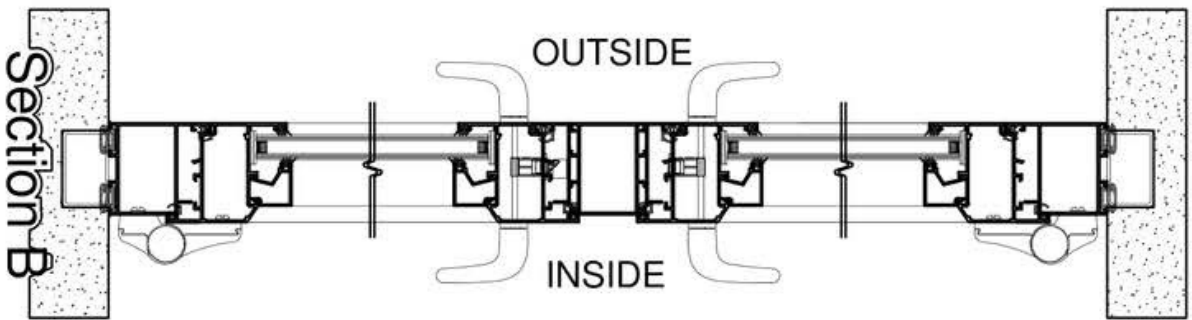
Door & Window Systems with Thermal Break



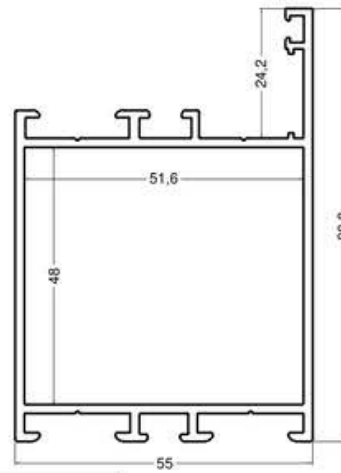
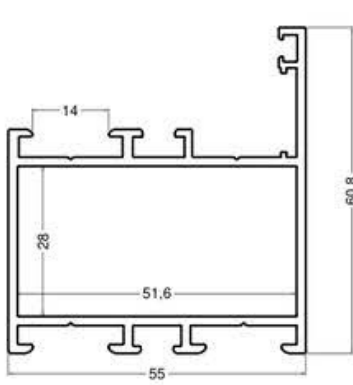




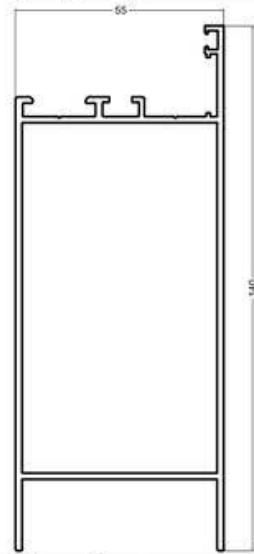
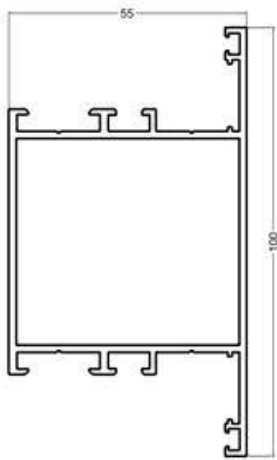
Interior View



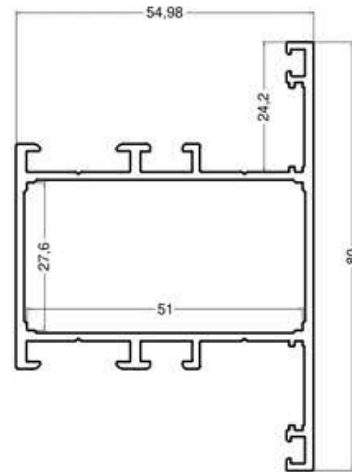
Door & Window Systems with Thermal Break



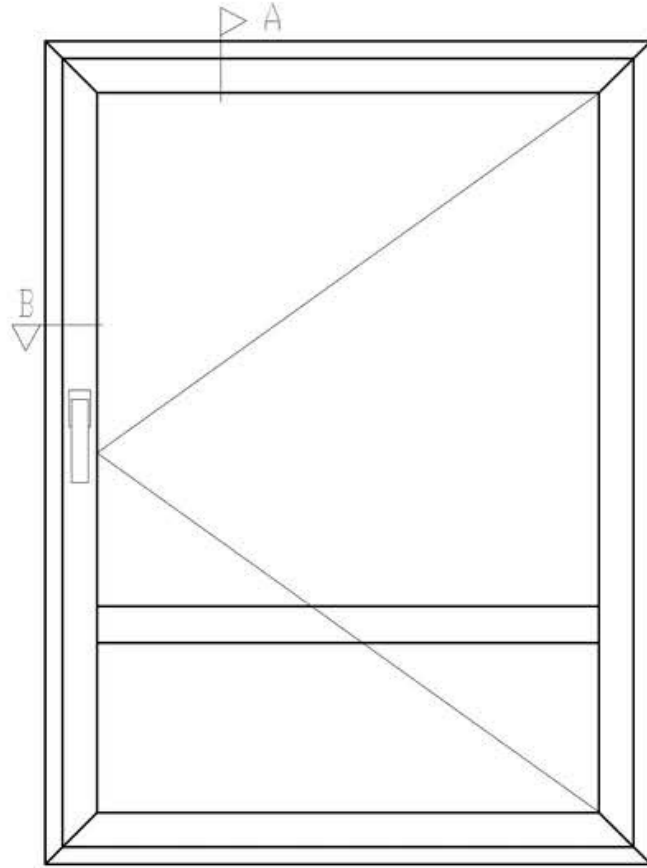
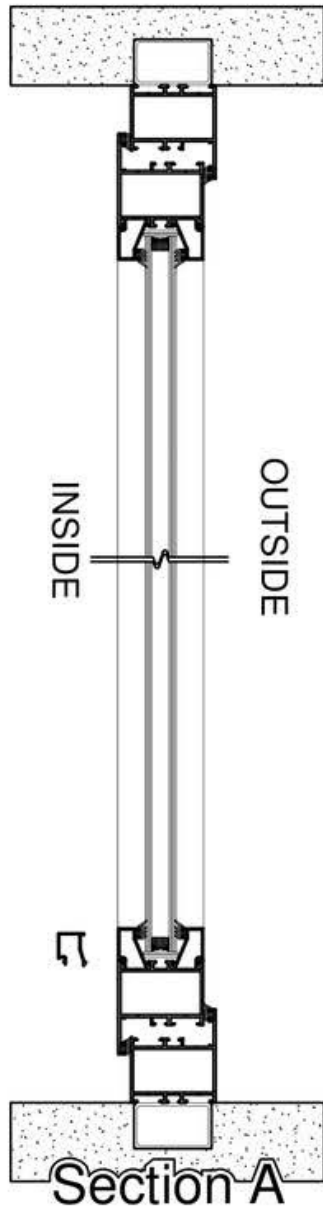
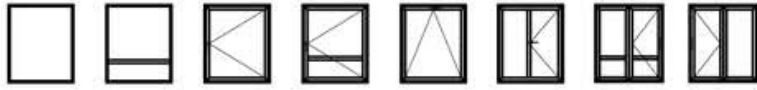
Weight: 1.155 kg/m **M.K0 108** **M.SH-K0105** Weight: 1.340 kg/m



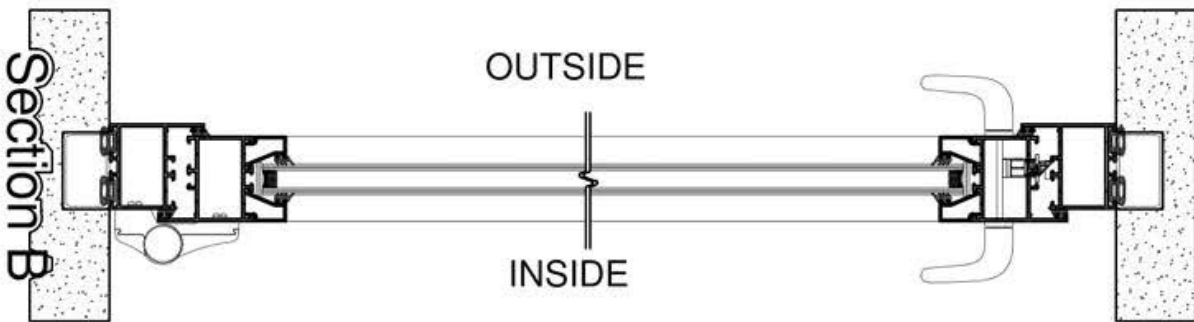
Weight: 1.435 kg/m **M.SH-K0100** **M.SH-K0101** Weight: 1.790 kg/m



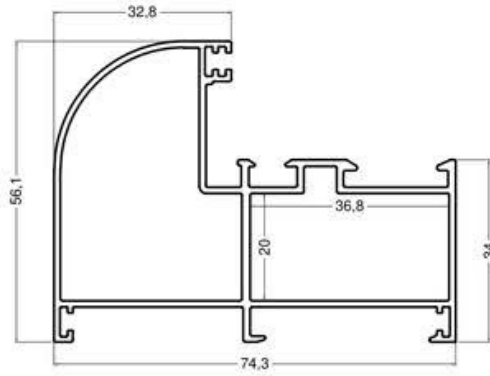
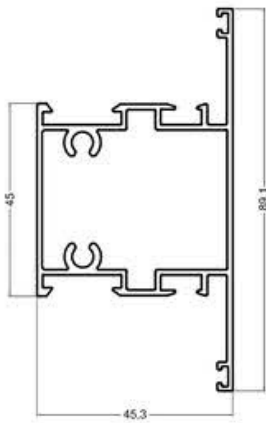
Weight: 0.000 kg/m **M.SH-K0103** Weight: 1.185 kg/m



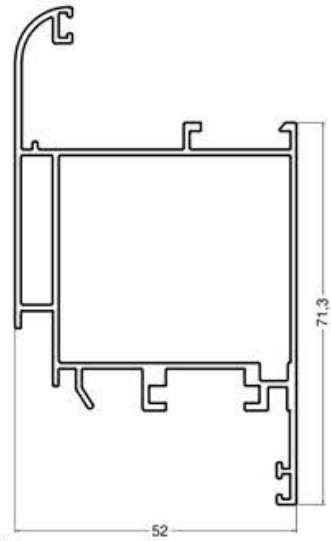
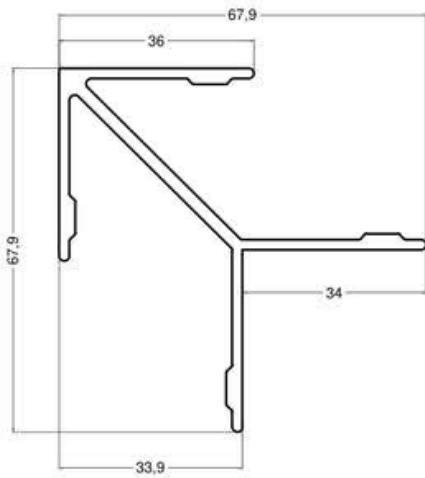
Interior View



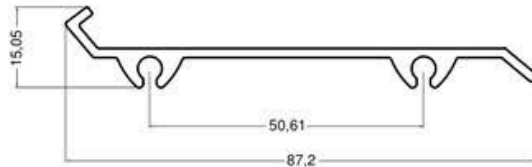
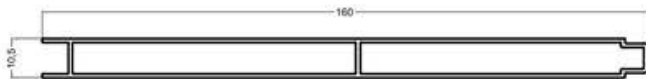
Door & Window Systems with Thermal Break



Weight: 1.075 kg/m M.SH-K095 M.SH-K097 Weight: 1.085 kg/m



Weight: 1.085 kg/m M.SH-K087 M.SH-K096 Weight: 1.085 kg/m



Weight: 0.985 kg/m M.SH-K077 M.SH-K080 Weight: 0.620 kg/m

